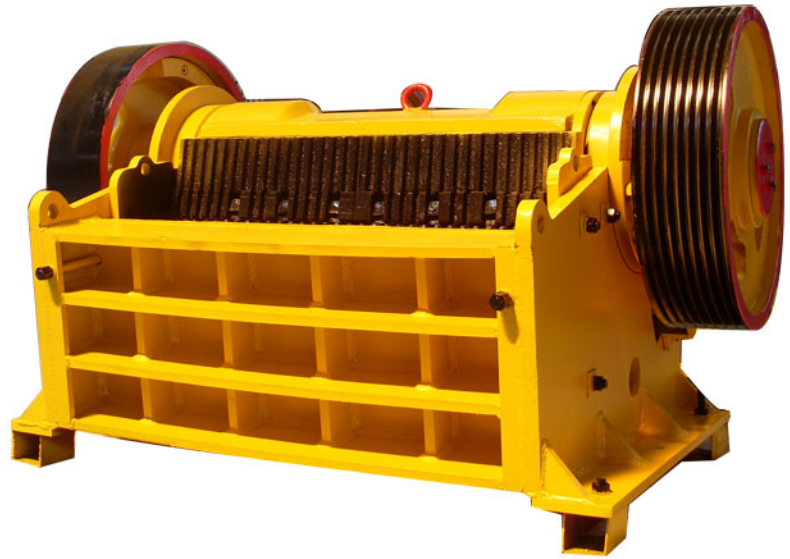


JC Series Jaw Crusher

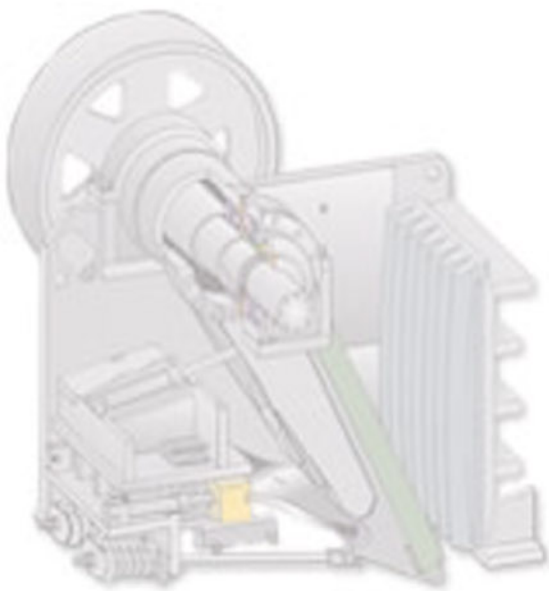
What we do today is to ensure the future of our
group with youth and spirit forever and ever.

- SBM



The most professional Jaw Crusher in China

Shanghai SBM Company is the leading manufacturer of stone & mineral processing equipment in the world. We've installed about thousands of crushing equipment all over the world since the end of the 20th century. Nowadays, JC series jaw crusher of European style adopted international advanced technology, considering crushing efficiently hard and abrasion proof stuff, it has uncontrovertibly become the most popular equipment in the world.



SBM JC Series Jaw Crusher Overview

Adopting the most advanced international crushing technology and manufacturing process, JC jaw crusher is the best choice to efficiently crush hard and highly corrosive materials at a low cost.

This series of jaw crusher is mainly used to crush mid hardness ores and rocks in metallurgical industry, mining, chemistry, cement making industry, construction, refractory, pottery and porcelain making for secondary and fine crushing. It is preferred to crush ores, rocks, slags, etc, whose compressive strength is under 280Mpa. Maximum size of feed materials must be less than what is required according to the specifications.



World-class craftsmanship and materials



World-class design

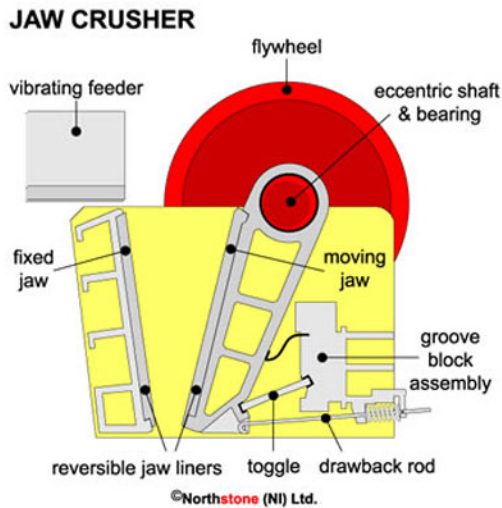
JC Series Jaw crusher Main Features and Benefits

1. World-class manufacture and hi-tech materials.
2. Axle bearing housing with integrated cast steel structure.
3. "V" shaped crushing cavity, easy adjustment of discharge opening.
4. Durable eccentric shaft, effective labyrinth seal.
5. Adoption of tooth-boards and cast steel in movable jaw plate.

JC Series Jaw crusher Technical Data

Parameter Model Content		JC1302	JC1003	JC1303	JC604
Feeding Opening(mm)		180×1300	250×1000	250×1300	400×600
Max Feeding Size(mm)		150	220	220	350
Adjustable Range of Discharge Opening(mm)		10-30	20-40	70-100	35-85
Eccentric Shaft Rotation Speed(rpm)		320	330	290	250
Theoretical Producing Capacity(t/h)		12-35	15-50	26-85	15-70
Electric Motor	Model	Y225M-6	Y225M-6	Y250M-6/Y280S-6	Y225M-6
	Power(Kw)	30	30	37/45	30
	Rotation Speed(rpm)	980	980	980	980
Overall Dimension(L×W×H)		1320×2150 ×1175	1400×1850 ×1310	1450×2150 ×1175	1920×1460 ×1840
Weight(Kg)		6000	5600	6800	
Voltage(V)		380	380	380	380
Frequency(Hz)		50	50	50	50

How JC Series Jaw Crusher works



Jaw crusher reduces large size rocks or ore by compressing, a fixed jaw, mounted in a “V” alignment is the stationary breaking surface, while the moveable jaw plate exerts force on the rock by compressing it against the fixed jaw plate. The space at bottom of the “V” aligned jaw plate, is the output size gap, or the maximum size of the crushed product.

Due to the features of simple structure reliable performance, convenient maintenance and safe use, our jaw crushers of various models are widely used in the crushing operation in metallurgy, mining, building materials, chemical industries and cement enterprises.

Sales Hot-Line

International Dept.1: Tel: 0086-21-58383098
International Dept.2: Tel: 0086-21-58383028
International Dept.3: Tel: 0086-21-58383058
International Dept.4: Tel: 0086-21-58383003
International Dept.5: Tel: 0086-21-58383022

E-mail & Fax

E-mail: sbm@unisbm.com
Fax: 0086-21-58383058

Office Address & Zip

Add : No.416 Jianye Road, South Jinqiao Area, Pudong, Shanghai, China
Zip / Postal Code : 201201