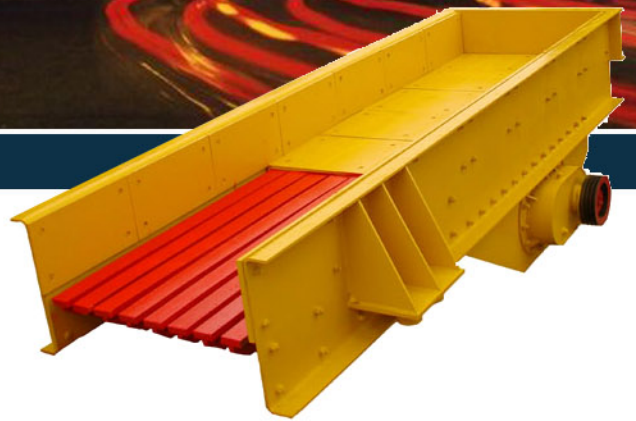




SBM Vibrating Feeder
SBM 



What we do today is to ensure the future of our
group with youth and spirit forever and ever.

- SBM

Vibrating Feeder



Vibrating Feeder Overview

Vibrating Feeder is a kind of linear direction feeding equipment. It features smooth vibrating, reliable operation, long service life and being suitable for feeding. They are widely used in mining, building-material, silicate and chemical industry in the crushing and screening plants.

Applications

In the Sand-Stone production line, it can send materials to crusher evenly and continuously and at the same time, it can screen materials roughly. It can be used in these areas such as metallurgical industry, coal mining industry, mining-selecting, building, chemical and grinding industry, etc.

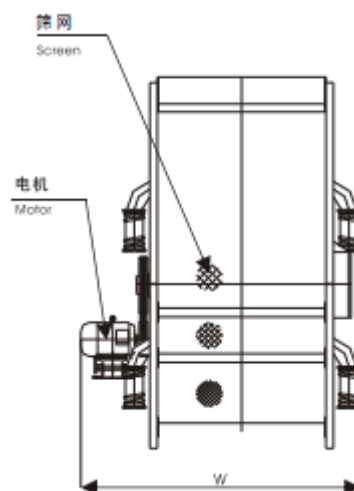
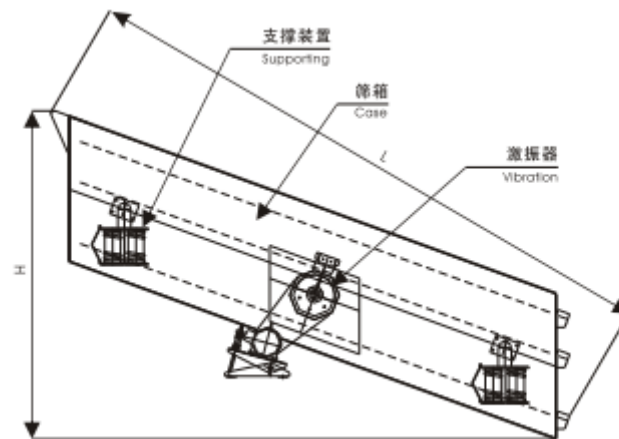
Main Features and Benefits

1. Simple structure, easy to adjust and to maintain.
2. With adjustable exiting force from the motor, it can regulate and control the feeding volume.
3. Added closed frame, it can largely reduce pollution and noise.

Technical Data

Model	Max Input Size(mm)	Capacity (t/h)	Motor Power (kw)	Installation Slope	Weight (kg)	Size of Funnel (mm)
GZD-180×80	300	30-80	2×1.5	0-10	0.8	1800×800
GZD-300×90	500	40-100	2×2.2	0-10	1.5	3000×900
ZSW-380×96	500	90-100	11	0°	3.98	3800×960
ZSW-490×96	500	120-240	15	0°	5.5	4900×960
ZSW-490×110	580	120-280	15	0°	5.72	4900×1100
ZSW-590×110	600	280-500	22	0°	6.13	5900×1100
ZSW-600×130	750	400-560	22	0°	7.8	6000×1300

How Vibrating Feeder Works



Vibrating feeder consists of vibrating frame, spring, vibrator, motor vibrating device and motor. The vibrator is made of two fixed eccentric shafts whose gears are jogged. When installation, the two gears must be jogged according to the sign. Through drive of the motor, the two eccentric shafts start rotating to produce a linear huge power which forces the feeder to vibrate. Through the vibration, The materials will slip and sling on the funnel, moving forward, when the materials pass the screening part, smaller parts will fall down, avoiding the further crushing, so screening purpose can be reached.

Sales Hot-Line

International Dept.1: Tel: 0086-21-58383098

International Dept.2: Tel: 0086-21-58383028

International Dept.3: Tel: 0086-21-58383058

International Dept.4: Tel: 0086-21-58383003

International Dept.5: Tel: 0086-21-58383022

E-mail & Fax

E-mail: sbm@unisbm.com

Fax: 0086-21-58383058

Office Address & Zip

Add : No.416 Jianye Road, South Jinqiao Area, Pudong, Shanghai, China

Zip / Postal Code : 201201